

موتور ویبره

ITALVIBRAS 750 rpm



kalasanati.com

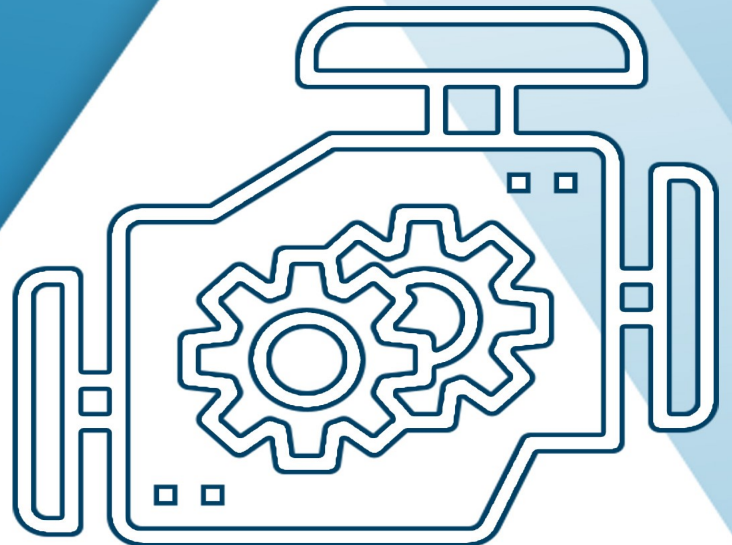


[@kalasanati.ir](https://www.instagram.com/kalasanati.ir)



[+982188544230](tel:+982188544230)

Catalog 2021



Vibration motor



Vibration motor
Kalasanati.com



8 poles - 750/900 rpm

	Description				Mechanical specifications								Electrical specifications			
	Code	Type	SIZE	 II2D Temp. class	Static moment* kgmm		Centrifugal force				Weight kg		Max input power W		Max. current A	
					50 Hz	60 Hz	50 Hz	60 Hz	50 Hz	60 Hz	50 Hz	60 Hz	50 Hz	60 Hz	400 V 50 Hz	460 V 60 Hz
three-phase	602568	MVSI 075/150-S02	20	• 130°C	163	163	104	149	1.02	1.46	19.0	19.0	230	250	0.85	0.76
	602575	MVSI 075/250-S02	30	• 130°C	286	286	181	260	1.76	2.55	27.5	27.5	350	380	1.10	1.05
	602645	MVSI 075/260-S02	35	• -	275	275	174	250	1.71	2.45	30.0	30.0	375	410	0.81	0.80
	602615	MVSI 075/400-S02	35	• -	457	457	288	415	2.83	4.07	36.5	36.5	375	410	0.81	0.80
	602616	MVSI 075/530-S02	35	• -	580	580	365	528	3.60	5.20	41.0	41.0	375	410	0.81	0.80
	602609	MVSI 075/660-S08	40	• 120°C	723	723	456	656	4.47	6.44	48.0	48.0	400	450	1.20	1.20
	602610	MVSI 075/910-S08	50	• 120°C	1012	1012	637	917	6.25	9.00	58.0	58.0	400	500	1.40	1.30
	602618	MVSI 075/1310-S08	60	• 150°C	1464	1464	922	1327	9.04	13.0	83.0	83.0	950	1100	2.20	2.20
	602619	MVSI 075/1750-S08	60	• 150°C	1927	1927	1214	1747	11.9	17.1	93.0	93.0	1100	1300	2.60	2.60
	602891	MVSI 075/2110-S02	70	• 135°C	2326	2326	1463	2107	14.4	20.7	130	130	1500	1790	4.10	4.20
	602884	MVSI 075/3110-S02	80	• 135°C	3422	3422	2152	3099	21.1	30.4	188	188	2000	2300	5.40	5.20
	602515	MVSI 075/3800-S02	80	• 135°C	4206	4206	2645	3808	25.9	37.4	204	204	2500	3000	6.00	6.00
	602862	MVSI 075/4200-S02	90	• 135°C	4658	4658	2930	4218	28.7	41.4	228	228	2800	3350	6.50	6.50
	602826	MVSI 075/5300-S02	90	• 135°C	5838	5838	3672	5287	36.0	51.9	258	258	4000	4300	8.20	7.85
	602827	MVSI 075/6500-S90	95	□ 135°C	7197	7197	4526	6517	44.4	63.9	315	315	4900	5800	9.90	9.50
	602551	MVSI 075/6800-S02	97	□ 135°C	7340	7340	4616	6647	45.3	65.2	330	330	5600	6000	10.5	10.0
	602870	MVSI 075/10000-S02	97	□ 135°C	12390	10973	7792	9937	76.4	97.5	438	419	6800	7450	13.2	12.0
	602863	MVSI 075/12000-S90	100	□ 135°C	13816	12407	8689	11235	85.2	110	540	520	7600	8300	14.0	13.5
	602871	MVSI 075/14000-S02	105	□ 135°C	17946	15500	11285	14036	111	138	702	680	9200	9600	21.0	19.5
602872	MVSI 075/17000-S02	105	□ 135°C	21337	19064	13418	17263	132	169	755	711	10400	11140	22.0	20.0	
602873	MVSI 075/22000-S90	110	□ 135°C	28633	24508	18005	22192	177	218	1015	981	12500	16200	26.5	28.0	
602535	MVSI 075/26000-S90	110	□ 135°C	-	28633	-	25927	-	254	-	1015	-	16200	-	28.0	
602589	MVSI 075/30000-S02	120	-	-	33440	33440	21070	30430	207	299	1125	1160	-	-	-	-

* Working moment = 2 x static moment. ▲ For special application. □ CSA certification on request, with feeding line included.



Fig. A

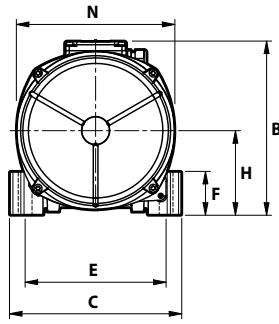
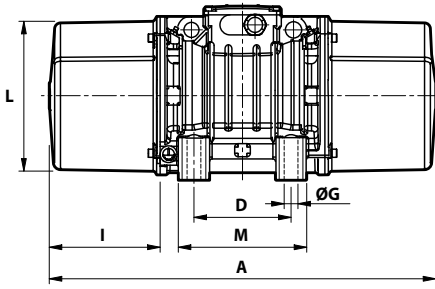
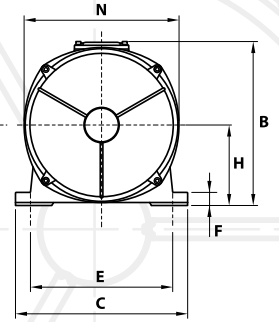
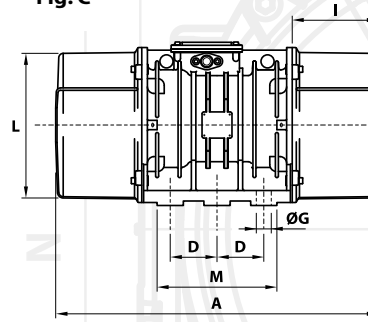


Fig. C



Dimensional specifications (mm)

I _a /I _n	Type	Fig.	A	B	C	D	E	Holes		F	H	I	L	M	N	Cable entry thread
								øG	N°							
50 Hz 60 Hz																
2.13 2.11	MVSI 075/150-S02	A	344	203	167	105	140	13	4	30	82.5	93	145	140	160	M25x1,5
2.03 2.29	MVSI 075/250-S02	A	394	216	205	120	170	17	4	45	93.5	106	170	160	182	M25x1,5
2.22 2.94	MVSI 075/260-S02	A	372	225	205	120	170	17	4	54	104.5	86.0	187	162	203	M25x1,5
2.22 2.38	MVSI 075/400-S02	A	435	225	205	120	170	17	4	54	104.5	117.5	187	162	203	M25x1,5
2.22 2.38	MVSI 075/530-S02	A	480	225	205	120	170	17	4	54	104.5	140	187	162	203	M25x1,5
2.38 2.58	MVSI 075/660-S08	A	500	246	230	140	190	17	4	54	116	134	207	190	225	M25x1,5
2.38 2.85	MVSI 075/910-S08	A	574	246	230	140	190	17	4	54	116	171	207	190	225	M25x1,5
2.63 3.41	MVSI 075/1310-S08	A	617	272	275	155	225	22	4	70	130	177	238	210	253	M25x1,5
2.78 3.04	MVSI 075/1750-S08	A	663	272	275	155	225	22	4	70	130	200	238	210	253	M25x1,5
3.55 2.95	MVSI 075/2110-S02	A	666	321	310	155	255	23.5	4	77	157	178	277	215	295	M25x1,5
3.98 4.62	MVSI 075/3110-S02	A	734	347	340	180	280	26	4	80	165	202	303	240	320	M32x1,5
4.00 4.20	MVSI 075/3800-S02	A	796	347	340	180	280	26	4	80	165	233	303	240	320	M32x1,5
3.84 4.00	MVSI 075/4200-S02	A	744	370	390	200	320	28	4	90	180	192	330	270	350	M32x1,5
3.87 5.35	MVSI 075/5300-S02	A	840	370	390	200	320	28	4	90	180	240	330	270	350	M32x1,5
3.04 3.26	MVSI 075/6500-S90 Δ	A	870	395	392	200	320	28	4	100	192	255	355	270	375	M32x1,5
3.12 3.30	MVSI 075/6800-S02	C	862	437	460	125	380	39	6	35	215	230	387	320	414	M32x1,5
3.33 3.92	MVSI 075/10000-S02	C	1002	437	460	125	380	39	6	35	215	300	387	320	414	M32x1,5
3.72 3.78	MVSI 075/12000-S90	C	1070	454	530	140	440	45	6	38	230	280	423	370	448	M32x1,5
4.99 5.44	MVSI 075/14000-S90	F	1040	526	570	140	480	45	8	41	268	240	486	510	516	M32x1,5
5.50 5.90	MVSI 075/17000-S90	F	1120	526	570	140	480	45	8	41	268	280	486	510	516	M32x1,5
5.63 4.71	MVSI 075/22000-S90	F	1150	607	610	140	520	45	8	38	297	297.5	542	510	582	M32x1,5
- 4.71	MVSI 075/26000-S90	F	1150	607	610	140	520	45	8	38	297	297.5	542	510	582	M32x1,5
- -	MVSI 075/30000-S02	Q	1205	648	700	140	600	45	8	45	320	310	600	510	660	M32x1,5

I_a/I_n = ratio between start-up current and maximum current.

Several sizes are available with different mounting bolt patterns. Please contact sales office at Italvibras.

Fig. F

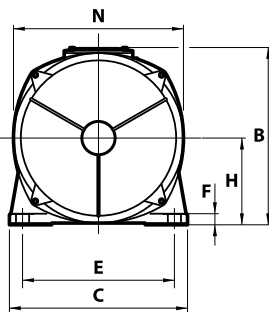
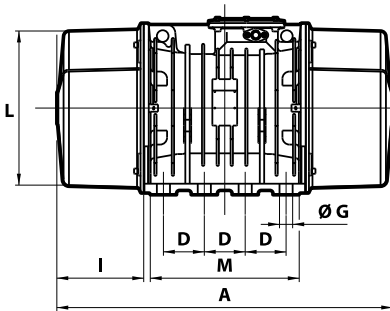


Fig. Q

